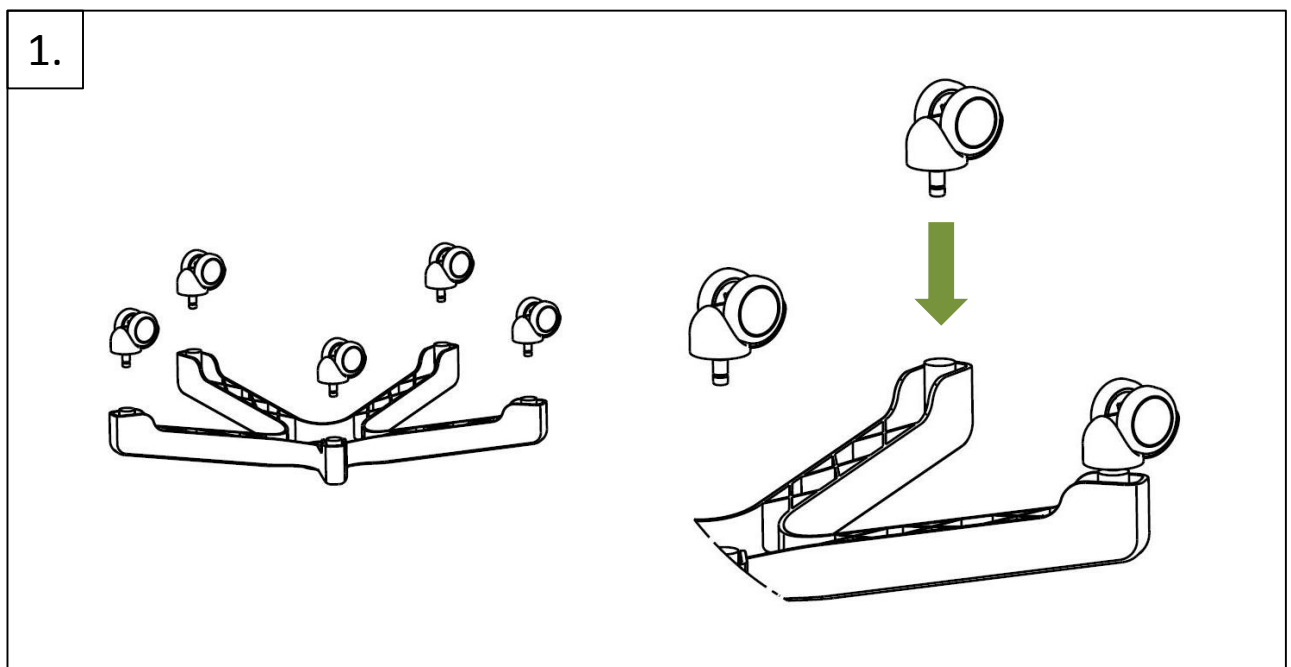
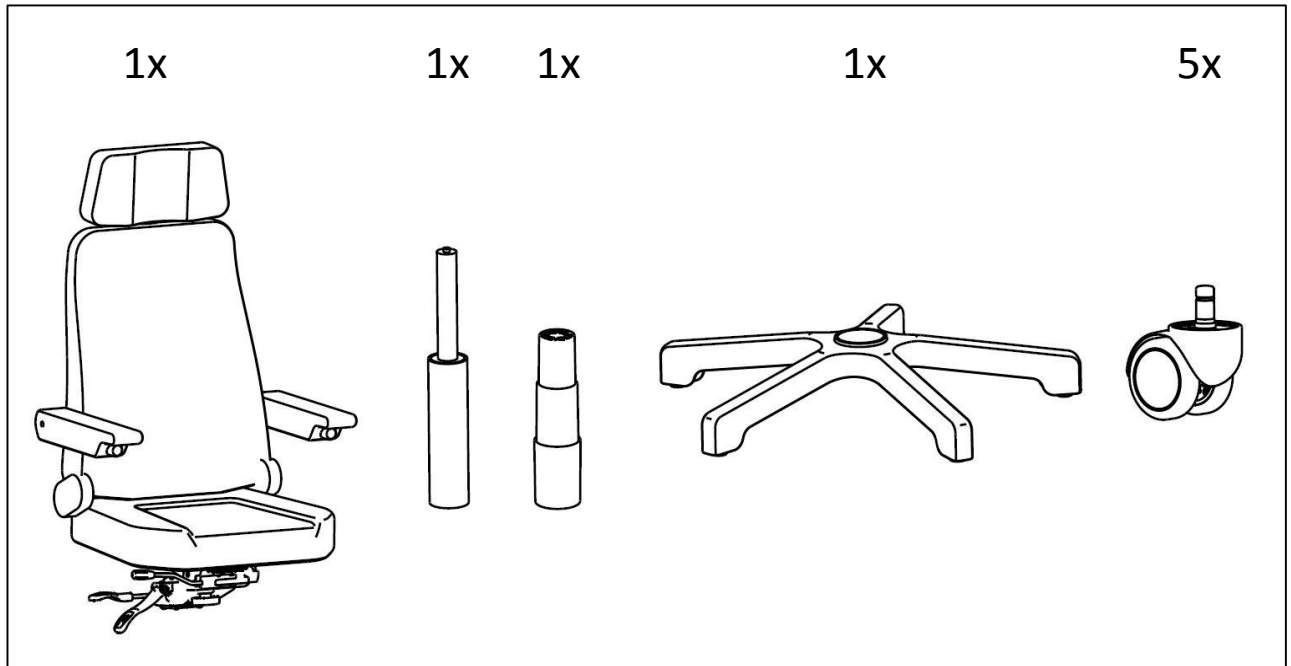
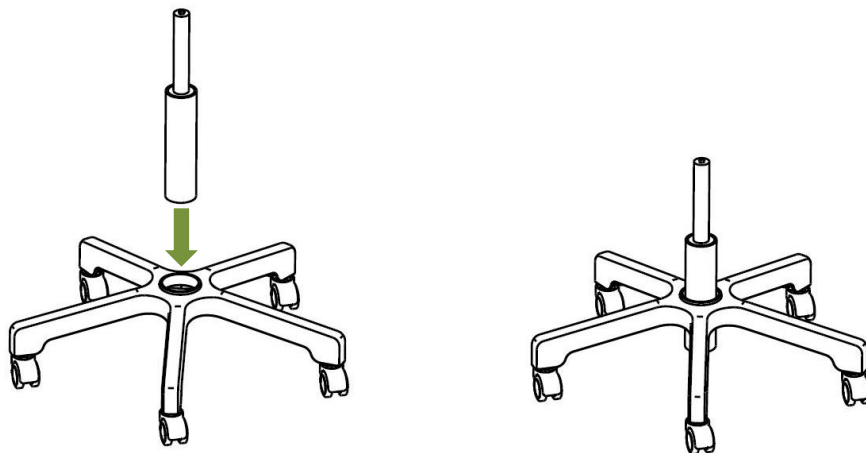


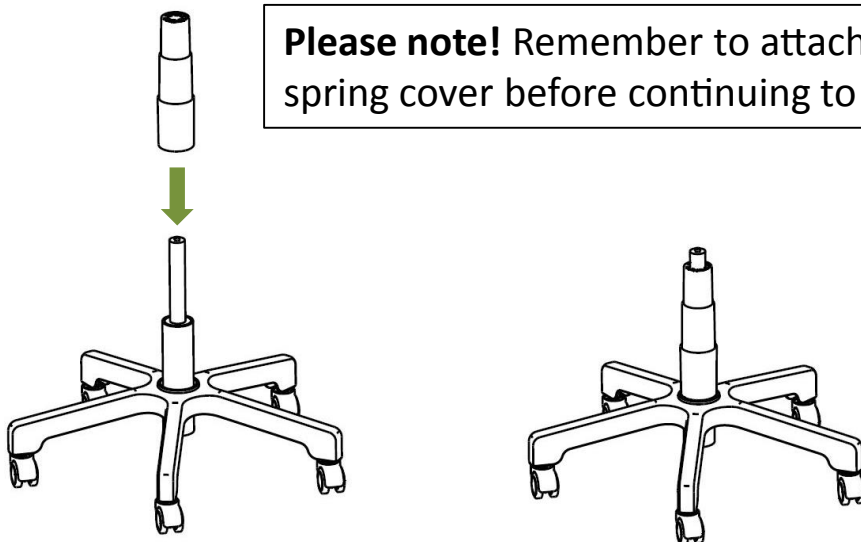
## Monteringsanvisning, 210/KA Arb.stol 1000/517 inkl Armstöd



2.

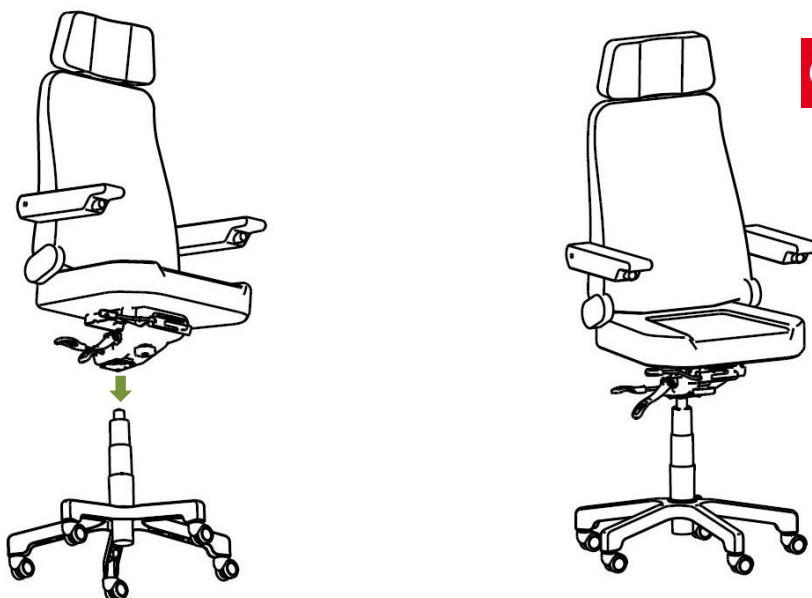


3.



**Please note!** Remember to attach the gas spring cover before continuing to step 4.

4.



Ergoseat Sweden AB  
Energigatan 23,  
43437 Kungälv  
Tel:  
+4630074175  
[www.ergoseat.se](http://www.ergoseat.se)  
[info@ergoseat.se](mailto:info@ergoseat.se)